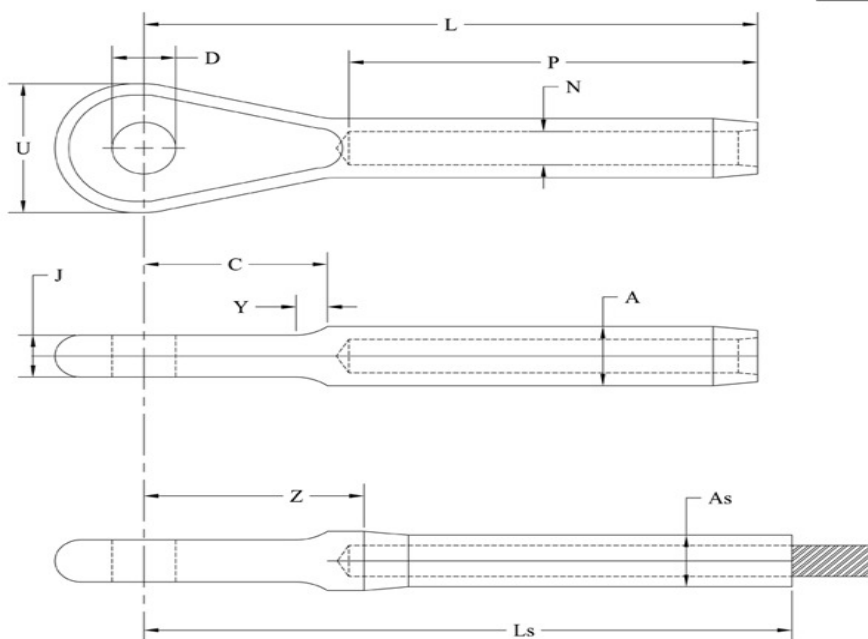


**MS20668 EYE END FITTING**



MS Part Number	Cable Diameter	A Diameter	As Diameter	C ±.020	D Diameter	J	L +.020 -.000	Ls. Reference	N Diameter	P	U +.025 -.010	Y	Z Min.
MS20668-2	1/16"	0.16	.138 +.000 -.005	0.523	0.19	0.088	1.631	1.809	0.078	1.042	0.359	0.072	0.662
MS20668-3	3/32"	0.218	.190 +.000 -.005	0.707	0.19	0.103	2.043	2.16	0.109	1.261	0.438	0.092	0.856
MS20668-4	1/8"	0.25	.219 +.000 -.005	0.738	0.19	0.19	2.337	2.593	0.141	1.511	0.5	0.103	0.9
MS20668-5	5/32"	0.297	.250 +.000 -.005	0.831	0.25	0.197	2.684	3.029	0.172	1.761	0.64	0.131	0.997
MS20668-6	3/16"	0.359	.313 +.000 -.005	0.903	0.313	0.255	3.019	3.187	0.203	2.011	0.781	0.155	1.082